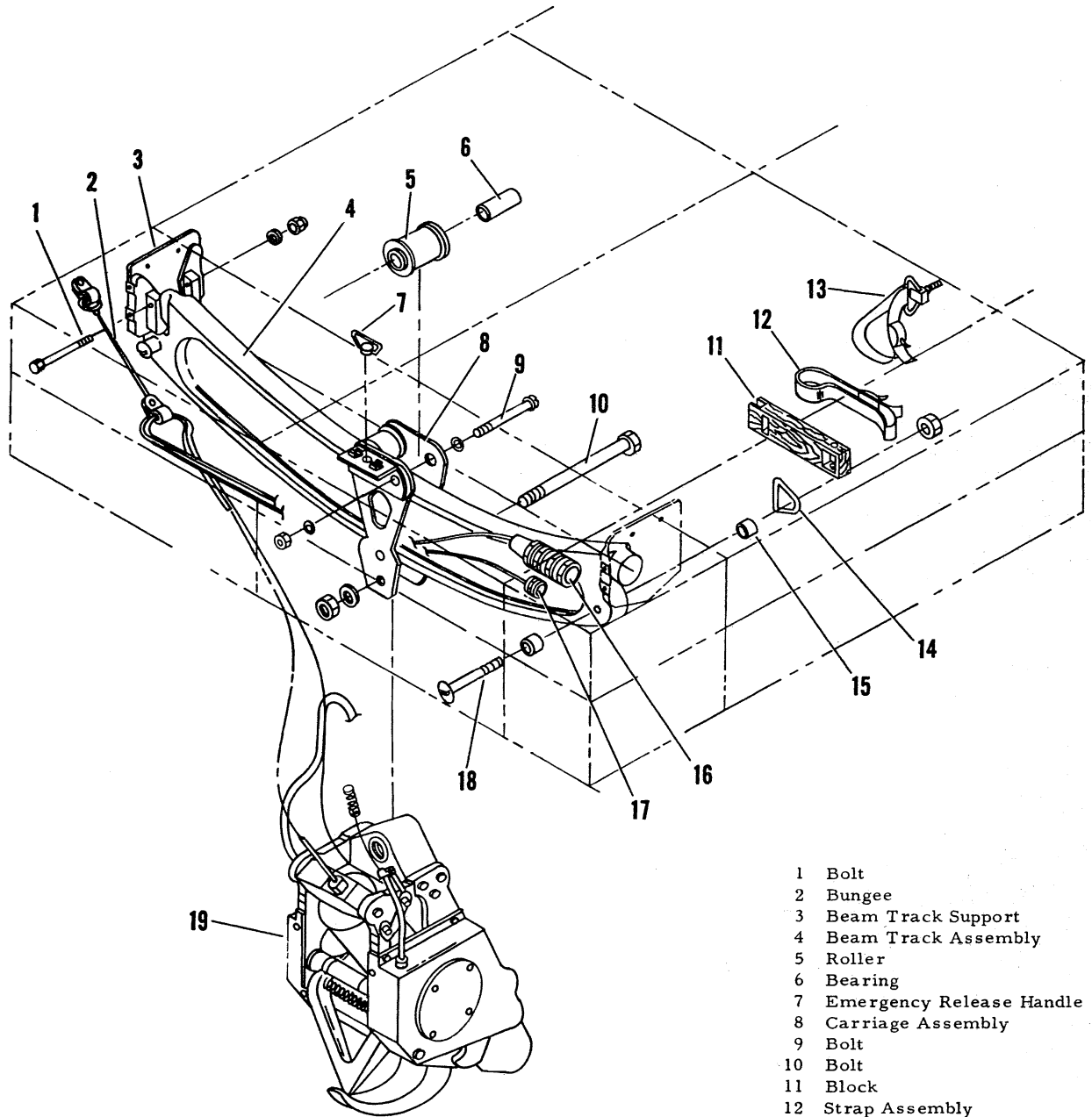


## CARGO HOOK INSTALLATION



- 1 Bolt
- 2 Bungee
- 3 Beam Track Support
- 4 Beam Track Assembly
- 5 Roller
- 6 Bearing
- 7 Emergency Release Handle
- 8 Carriage Assembly
- 9 Bolt
- 10 Bolt
- 11 Block
- 12 Strap Assembly
- 13 Strap Assembly
- 14 D Ring
- 15 Spacer
- 16 Hydraulic Line Connection
- 17 Electrical Connector
- 18 Bolt
- 19 Hook Assembly