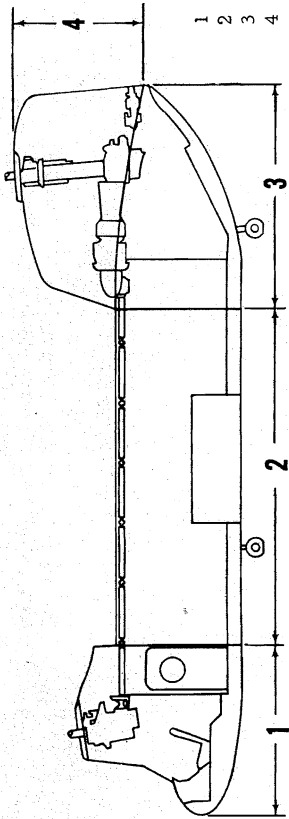
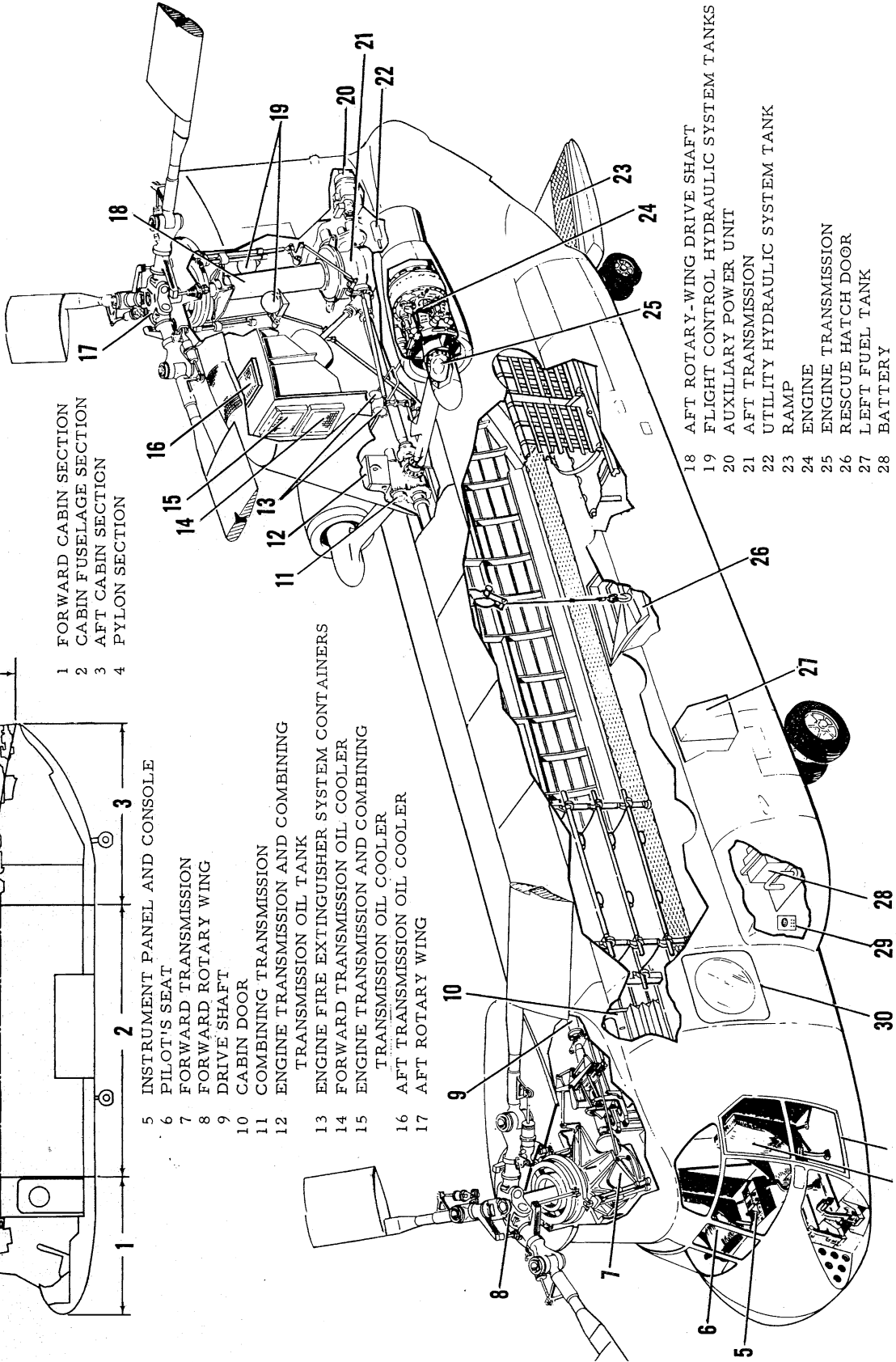


GENERAL ARRANGEMENT



- 1 FORWARD CABIN SECTION
- 2 CABIN FUSELAGE SECTION
- 3 AFT CABIN SECTION
- 4 PYLON SECTION

- 5 INSTRUMENT PANEL AND CONSOLE
- 6 PILOT'S SEAT
- 7 FORWARD TRANSMISSION
- 8 FORWARD ROTARY WING DRIVE SHAFT
- 9 CABIN DOOR
- 10 COMBINING TRANSMISSION AND COMBINING TRANSMISSION OIL TANK
- 11 ENGINE TRANSMISSION AND COMBINING TRANSMISSION OIL TANK
- 12 ENGINE TRANSMISSION AND COMBINING TRANSMISSION OIL TANK
- 13 ENGINE FIRE EXTINGUISHER SYSTEM CONTAINERS
- 14 FORWARD TRANSMISSION OIL COOLER
- 15 ENGINE TRANSMISSION AND COMBINING TRANSMISSION OIL COOLER
- 16 AFT TRANSMISSION OIL COOLER
- 17 AFT ROTARY WING



- 18 AFT ROTARY-WING DRIVE SHAFT
- 19 FLIGHT CONTROL HYDRAULIC SYSTEM TANKS
- 20 AUXILIARY POWER UNIT
- 21 AFT TRANSMISSION
- 22 UTILITY HYDRAULIC SYSTEM TANK
- 23 RAMP
- 24 ENGINE
- 25 ENGINE TRANSMISSION
- 26 RESCUE HATCH DOOR
- 27 LEFT FUEL TANK
- 28 BATTERY
- 29 A-C AND D-C EXTERNAL POWER RECEPTACLES
- 30 CABIN ESCAPE HATCH
- 31 JETTISONABLE DOOR
- 32 COPILOT'S SEAT